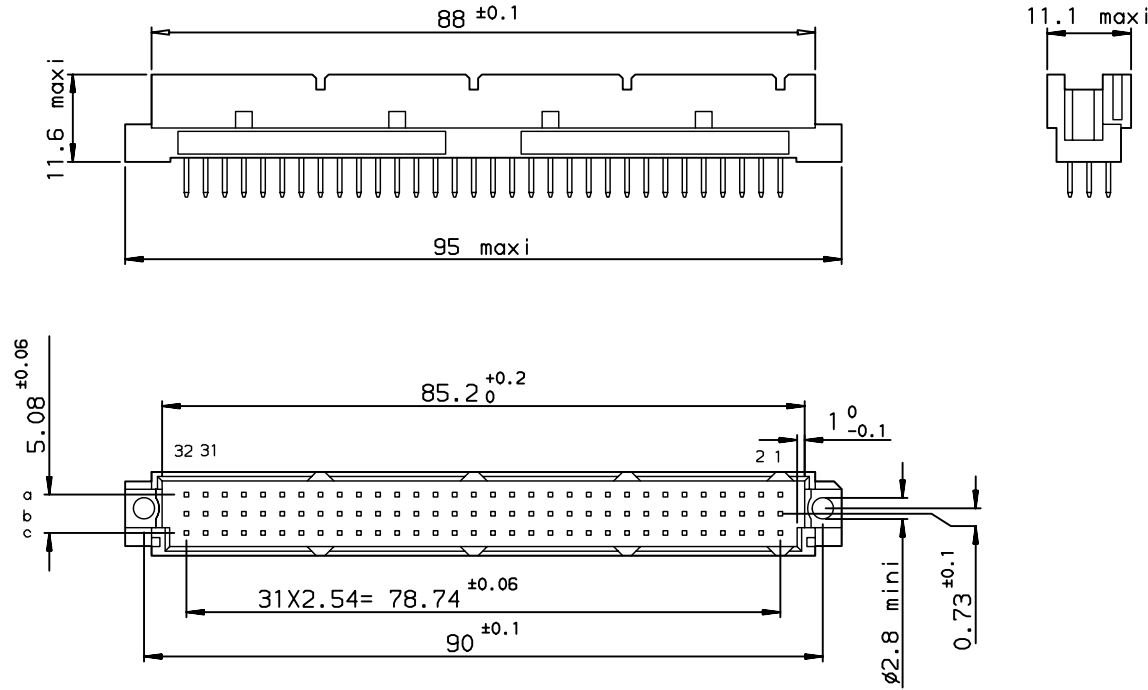


DIMENSIONS



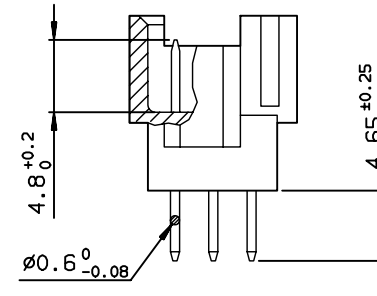
GENERAL CHARACTERISTICS :

-SEE DRAWING REF. C-8609-0000

SPECIFIC CHARACTERISTIC :

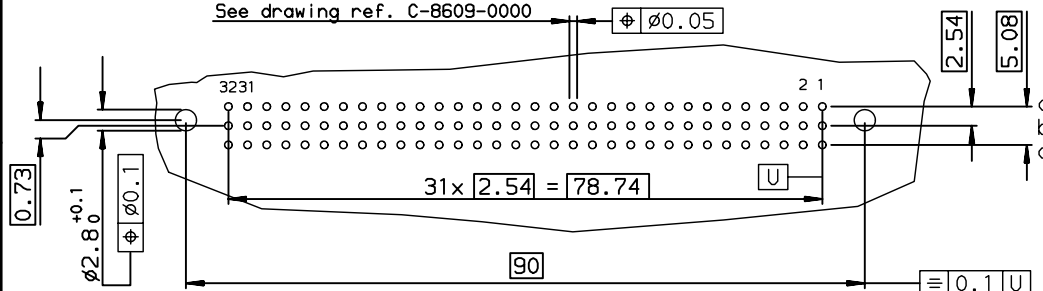
-Finishing contact surface: 1.25µm mini gold over Nickel

TERMINATION



P.C. CARD DRILLING (Component side view)

See drawing ref. C-8609-0000



PART NUMBER : 8609-396-79-14-785-000-E1

European Views

| | | | | |
|--|----------|-------------------------|-----------------------------------|---------------------|
| www.fciconnect.com | | surface ISO 1302 ✓ | tolerance std ISO 406 ISO 1101 | projection mm |
| TOLERANCES UNLESS OTHERWISE SPECIFIED | | | | |
| Dr | LEGALLIC | 2001/02/16 | ANGULAR | LINEAR |
| Eng | LEGALLIC | 2001/02/16 | 0.X | ±0.1 |
| Chr | LEGARE | 2001/02/16 | 0.XX | ±0.1 |
| Appr | LEGARE | 2001/02/16 | 0.XXX | ±0.1 |
| Product family | | | DIN | Spec ref - |
| title STRAIGHT MALE STYLE HE11 | | size A3 | | Scale 1.5 |
| 96 CONTACTS | | ECN LS07-0130 | | Rev. B |
| catalog no | | CUSTOMER | | sheet 1 of 1 |

| rev | ecn no | dr | date |
|-----|-----------|-----|------------|
| A | - | HLE | 2001/02/16 |
| B | LS07-0130 | HLE | 2007/06/07 |
| - | - | - | - |
| - | - | - | - |
| - | - | - | - |
| - | - | - | - |

Copyright FCJ.

REV F - 2006-04-17